

AC Current Probe Model ACP 1000 SM

Part no.: P-00.600.1

The ACP 1000 SM current probe has been designed for use with multimeters, recorders, power analysers, safety testers etc. for accurate non-intrusive measurement of AC current. Using the latest transformer technology, the SM 1000A/1A can measure currents from 100mA to 1500A over a frequency range of 30Hz to 10kHz.



Electrical Characteristics

Nominal Current I_N	: 1200A _{RMS}
Continuous Measuring Range	: 100mA to 1200A _{RMS}
Overload Capability for 1 Hour, 33% Duty Cycle	: 1500A _{RMS} (50/60Hz)
Output Sensitivity	: 1mV/A
Turns Ratio.....	: 1000:1
Accuracy...(@100A, 2kHz, +25°C).....	: ±1% of reading
Load Impedance.....	: >10kOhm
Phase Shift at 2kHz.....	: ±1 degree
Frequency Range.....	: 30Hz to 10kHz (-3dB)
Working Voltage (see Safety Standards section).....	: 600V AC _{RMS} or DC

Accuracy

Primary Current	1 to 10A	10 to 50A	50 to 200A	200 to 1000A	to 1200A
Accuracy (of rdg)	±3%	±3%	±1.5%	±0.8%	0.5%
Phase Error	Not specified	3°	1.5°	0.75°	0.5°

General Characteristics

Maximum Conductor Size	: 54mm diameter
Output Connection	: 4mm safety sockets
Operating Temperature Range.....	: -10 to +55°C
Storage Temperature Range.....	: -40 to +70°C
Operating Humidity.....	: 15% to 85% (non condensing)
Weight.....	: 650g

ACP 1000 SM_180131_03

Safety Standards

EN 61010-1: 2010
 EN 61010-2-032: 2012
 EN 61010-2-031: 2008

600V_{RMS}, Category III, Pollution Degree 2

Use of the probe on **uninsulated conductors** is limited to 600 V AC_{RMS} or DC and frequencies below 1kHz.

EMC Standards

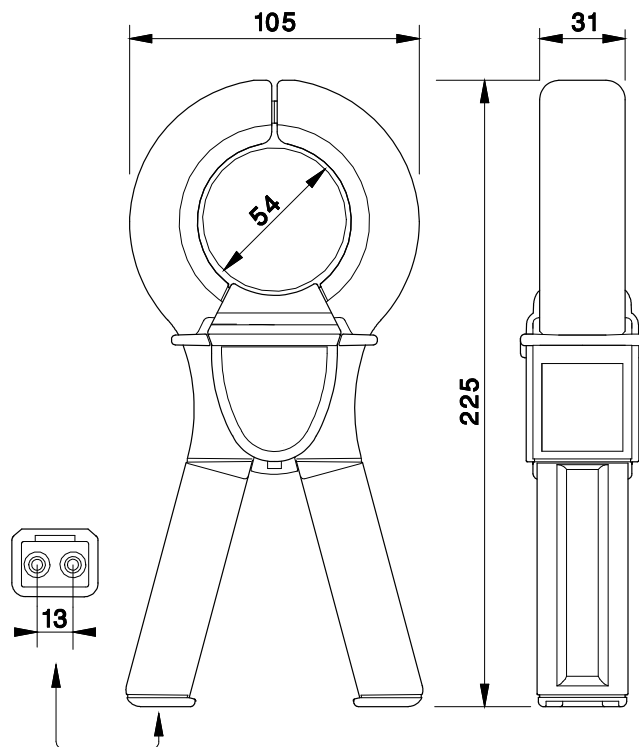
EN61326 :1998

Reference Conditions

Temperature.....	22 ± 3°C
Sinusoidal current.....	48 to 65Hz
Distortion factor.....	< 1%
DC current.....	None
DC Magnetic field.....	40A/m Earth's magnetic field
Primary conductor.....	Centred in the aperture
Proximity of external conductor..	None

Dimensions in mm:

Pin	Function
S1	Output +
S2	Output -



ACP 1000 SM_180131_03